

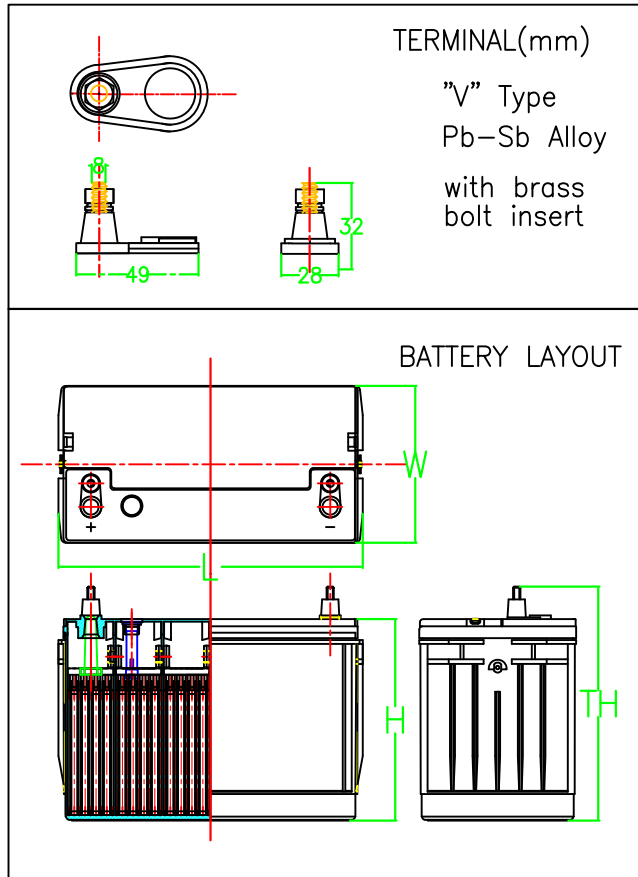
Tubular Positive Deep Cycle MF Battery



Sealed Flooded Monoblock Series

TMF1250 (12V 50Ah/20HR)

FOR SOLAR POWER



Dimensions(mm)	
Length :	229 mm (9.01 inch)
Width :	178 mm (7.00 inch)
Height :	182 mm (7.16 inch)
T. Height	220 mm (8.66 inch)
Nominal Voltage :	12V
Capacity (5HR) :	40Ah/10.2V
Capacity (20HR) :	50Ah/10.5V
Cycle Use Chrg :	14.8-15.0V, <10A
Standby Use Chrg:	13.50-13.80, <10A
Cell Weight Filled :	15 kg
Cell Weight Dry :	12 kg
Type of POS Plate :	Tubular Type
Container Material :	PP Resin
Type of Terminal:	Bolt & Nut Type
Size of Terminal :	M8
Life Cycle (50%DOD) :	2000 cycles
Standby Use:	10~12 years at 25 °C

CONSTANT CURRENT DISCHARGE/AMPS. TO 10.2V AT 30 °C

Dchg. Time	DURATION OF DISCHARGE									
	15min.	30min.	1hr.	2hr.	3hr.	4hr.	5hr.	8hr.	10hr.	20hr.
Amps.	45.4	36.2	23.3	16.2	12.1	10.0	8.35	5.55	4.63	2.58

